



FH420 SERIES THREADED

In line high pressure filters

In line filters for operating pressure up to 420 bar.
Flow rate up to 500 l/min.



HOUSING

tested according to NFPA T3.10.5.1, ISO 10771, ISO 3968

PRESSURE: Max operating: up to 420 bar
Fatigue rating: 10^6 cycles 0÷420 bar
Burst: 1260 bar

CONNECTIONS: G 1/2" ÷ G 1 1/2"

MATERIALS: Head: cast iron
Bowl: carbon steel
Seal: NBR (FKM on request)

BYPASS VALVE: 6 bar
ABF valve
ABF valve+RF valve

ELEMENT

tested according to ISO 11170, 2941, 2942, 2943, 3724, 3968, 16889, 16908, 23181

FILTER MEDIA: Fibreglass: G01 - G03 - G06 - G10
G15 - G25

COLLAPSE PRESSURE: 21 bar
210 bar

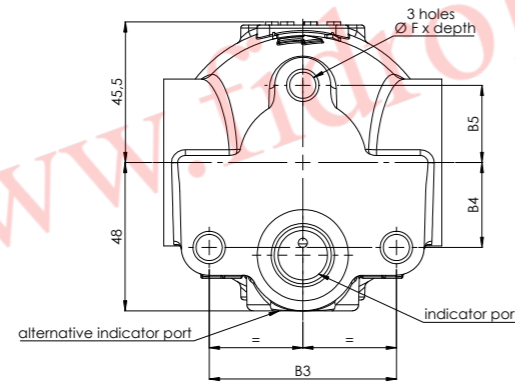
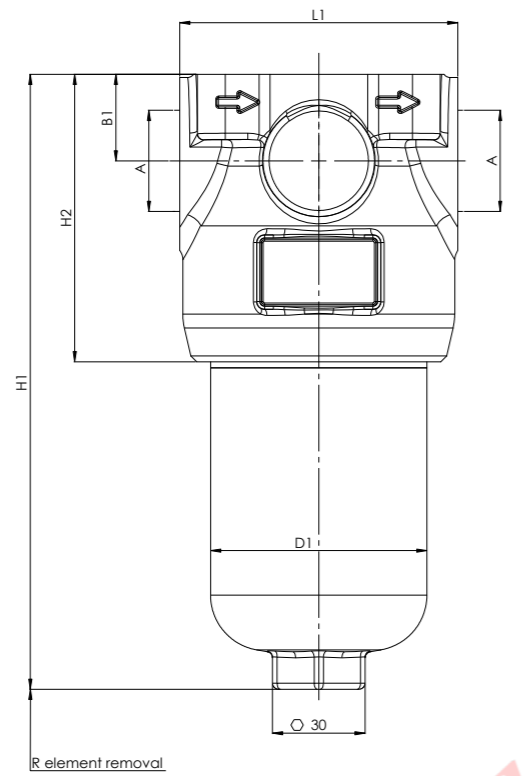
TEMPERATURE RANGE: with NBR seal
from -30 °C to +100 °C

with FKM seal (OPTION)
from -25 °C to +120 °C

FLUID COMPATIBILITY: Full with HH-HL-HM-HV
HETG-HEES (acc. to ISO 6743/4).
For use with other fluid please
contact Filtrac Customer Service
(info@filtrac.it).

OVERALL DIMENSIONS

FH420-D1-2x

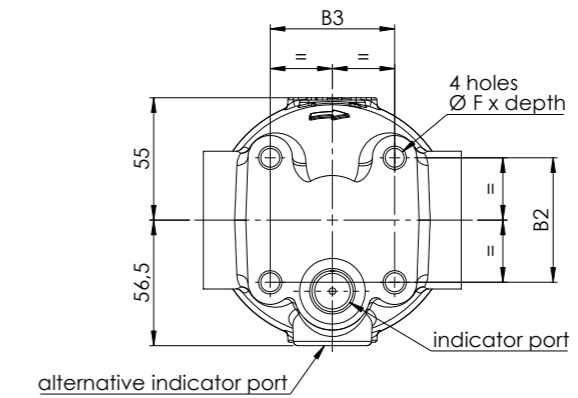
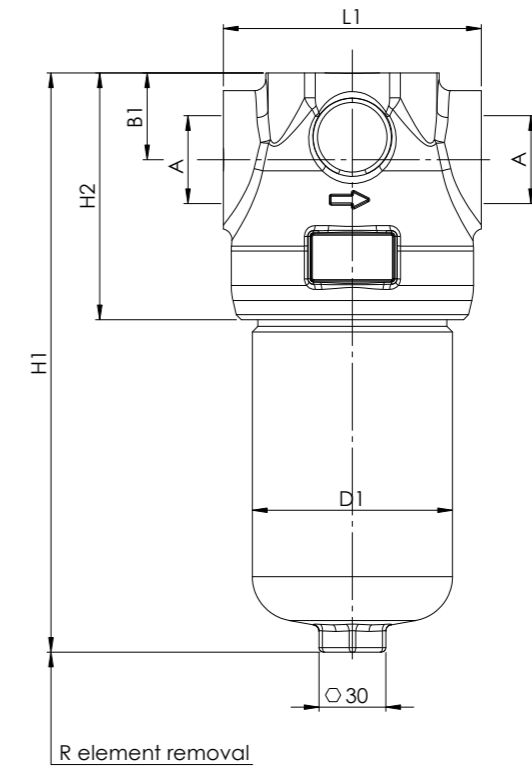


NOMINAL SIZE

MODEL	A	B1	B3	B4	B5	D1	F	H1	H2	L1	R	WEIGHT
FH420-D125								162				3,5 Kg
FH420-D120	G 1/2"							203				4 Kg
FH420-D124	G 3/4"	28	60,6	27,5	25	70	M10x15	246	93	90	110	4,5 Kg
FH420-D121	G 1"							296				5 Kg
FH420-D126								340				5,4 Kg

OVERALL DIMENSIONS

FH420-D1-3x

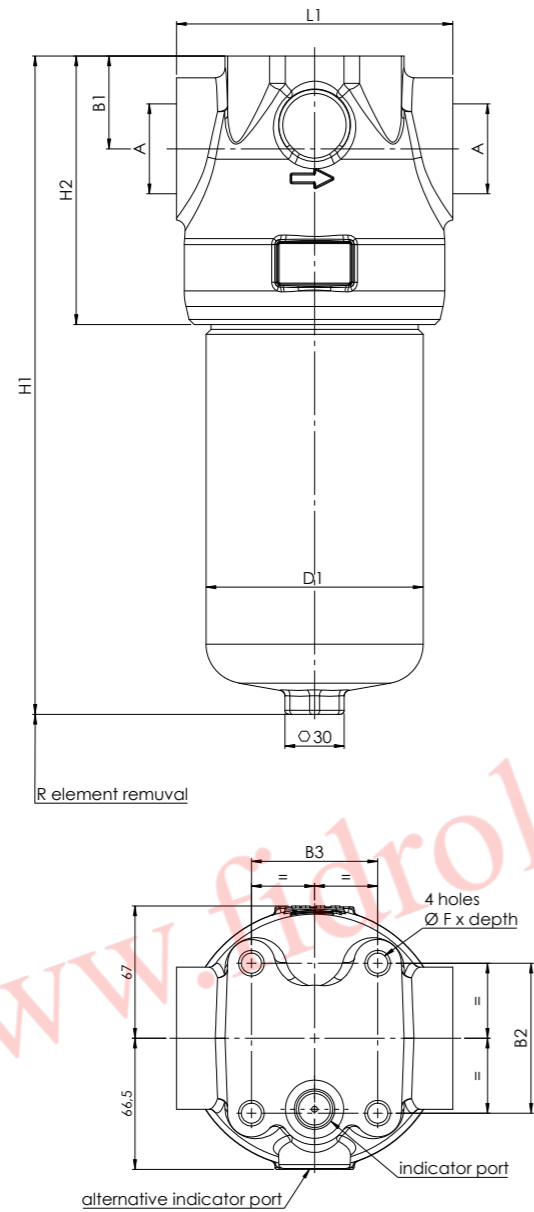


NOMINAL SIZE

MODEL	A	B1	B2	B3	D1	F	H1	H2	L1	R	WEIGHT
FH420-D135							261				7,4 Kg
FH420-D136	G 1"	39	56	56	90	M10x15	320	111	116	120	8,5 Kg
FH420-D137	G 1 1/4"						390				9,9 Kg

OVERALL DIMENSIONS

FH420-D1-4x



NOMINAL SIZE

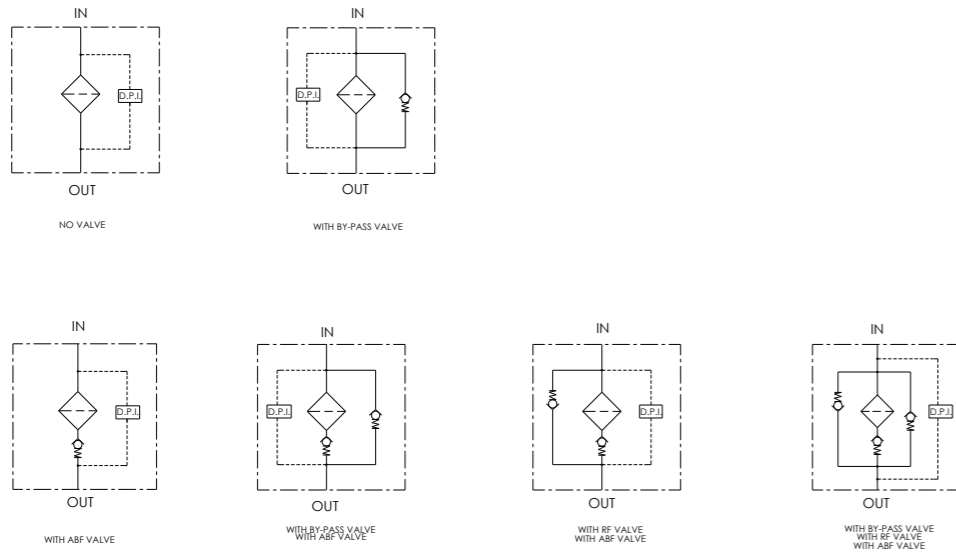
MODEL	A	B1	B2	B3	D1	F	H1	H2	L1	R	WEIGHT
FH420-D140	G 1 1/4" G 1 1/2"	47	76	64	110	M12x18	240,5	136	140	130	10,5 Kg
333,5							13 Kg				
453,5							16,4 Kg				
552,5							19 Kg				

ORDERING INFORMATION

	1.	2.	3.	4.	5.	6.	7.	8.	9.	10.	11.	12.	13.
	FH420	D1	20	G10	A	B	B4	D	C	W	E05	S	0
SPARE ELEMENT	D1	20	G10	A									

1. FILTER SERIES	FH420	
2. FILTER ELEMENT SERIES	D1	
3. FILTER SIZE	25-20-24-21-26 35-36-37 40-41-42-43	
4. FILTER MEDIA	000	no element
	G01	glassfiber $\beta_{4\mu m(c)} \geq 1.000$
	G03	glassfiber $\beta_{5\mu m(c)} \geq 1.000$
	G06	glassfiber $\beta_{7\mu m(c)} \geq 1.000$
	G10	glassfiber $\beta_{12\mu m(c)} \geq 1.000$
	G15	glassfiber $\beta_{17\mu m(c)} \geq 1.000$
	G25	glassfiber $\beta_{22\mu m(c)} \geq 1.000$
5. ELEMENT COLLAPSE	A	21 bar
	Y	21 bar - with ABF / RF valve
	B	210 bar
	X	210 bar - with ABF / RF valve
6. SEALS	*B	NBR
	V	FKM (on request)
*omitted for spare element		
7. CONNECTIONS	B3	G 1/2" for size 2x
For different thread options please check availability with Filtrac Customer Service.	B4	G 3/4" for size 2x - 3x
	B5	G 1" for size 2x - 3x
	B6	G 1 1/4" for size 3x - 4x
	B7	G 1 1/2" for size 4x
8. BYPASS VALVE	0	no by-pass
	D	6 bar
9. ABF VALVE / RF VALVE	0	no valve
ABF=anti back flow valve RF= reverse flow valve	C	ABF valve
	R	ABF valve+RF valve
10. INDICATOR PORT OPTION	S	with metal plug
	W	with plastic plug
11. INDICATOR	000	no indicator
(F) digit for FKM seal option *LC24=Led connector For other options see clogging indicators catalogue	V05 (VF5)	differential visual 5 bar
	E05 (EF5)	differential electrical 5 bar
	E05L (EF5L)	differential electrical 5 bar + *LC24
	V08 (VF8)	differential visual 8 bar
	E08 (EF8)	differential electrical 8 bar recommended for no by-pass option
	E08L (EF8L)	differential electric 8 bar + *LC24
12. CORROSION PROTECTION	S	phosphated - standard
13. OPTION	0	standard
	D	drain plug (on request) standard on size 43

HYDRAULIC SYMBOLS



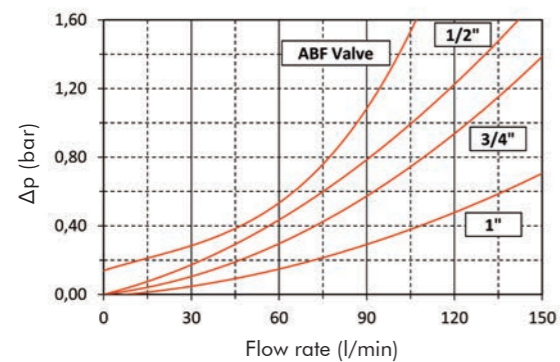
PRESSURE DROP (Δp) INFORMATION FOR FILTER SIZING

The total Delta P through a filter assembly is given from Housing Δp + Element Δp . This ideally should not exceed 1,0 bar and should never exceed 1/3 of the set value of the by-pass valve. N.B. All the reported data have been obtained at our laboratory, according to specification ISO3968 with mineral oil having 32 cSt viscosity and density 0,875 Kg/dm³.

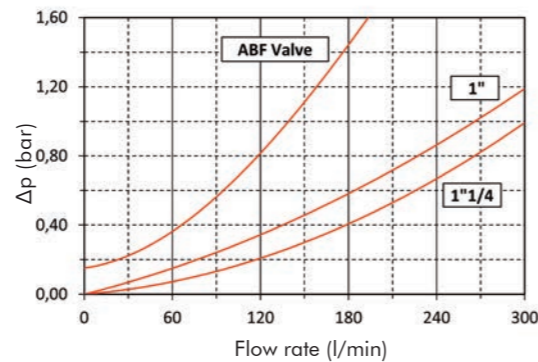
HOUSING PRESSURE DROP

The housing Δp is given by the curve of the considered model and port, in correspondence of the flow rate value.

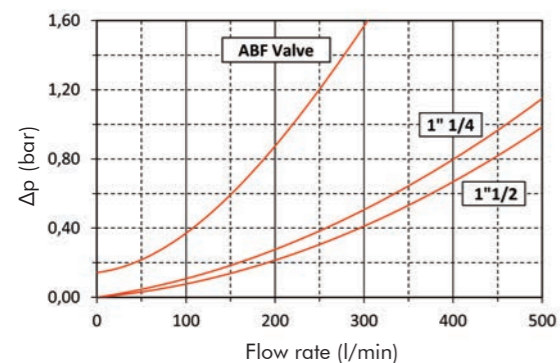
FH420 D1-2x



FH420 D1-3x



FH420 D1-4x



ELEMENT PRESSURE DROP (filter elements 21 bar collapse)

The element Δp (bar) is given by the flow rate (l/min) multiplied by the factor in the table here below corresponding to the selected media and divided by 1000.

If the oil has a viscosity V_x different than 32 cSt a corrective factor $V_x/32$ must be applied.

Example: 80 l/min with D121G10A and oil viscosity 46 cSt $> (80 \times 4,42)/1000 \times (46/32) = 0,51$ bar

	G01	G03	G06	G10	G15	G25
D125	50,24	35,56	25,75	15,51	8,27	7,57
D120	30,43	21,30	13,97	8,39	5,18	4,78
D124	19,90	13,93	8,42	5,17	4,16	3,60
D121	15,48	10,84	6,79	4,42	3,38	2,93
D126	13,24	8,61	5,75	4,03	2,91	2,43
D135	15,82	11,07	7,27	4,45	3,03	2,87
D136	13,19	9,23	6,06	3,71	2,53	2,39
D137	9,63	6,74	4,43	2,71	1,85	1,75
D140	14,65	10,26	6,73	4,12	2,81	2,66
D141	6,88	4,82	2,98	2,02	1,42	1,21
D142	4,67	3,27	1,99	1,36	1,04	0,77
D143	3,28	2,30	1,26	0,70	0,56	0,40

EXAMPLE OF TOTAL Δp CALCULATION

FH420D121G10ABB5DCWE05S0 with 80 l/min and oil 46 cSt:

Housing Δp 0,25 bar + element Δp 0,51 bar $(80 \times 4,42)/1000 \times (46/32) =$ total assembly Δp 0,76 bar

ELEMENT PRESSURE DROP (filter elements 210 bar collapse)

The element Δp (bar) is given by the flow rate (l/min) multiplied by the factor in the table here below corresponding to the selected media and divided by 1000.

If the oil has a viscosity V_x different than 32 cSt a corrective factor $V_x/32$ must be applied.

Example: 80 l/min with D121G10B and oil viscosity 46 cSt $> (80 \times 5,25)/1000 \times (46/32) = 0,60$ bar

	G01	G03	G06	G10	G15	G25
D125	57,38	89,23	27,5	16,53	10,15	8,03
D120	37,18	26,03	14,77	11,57	6,89	6,13
D124	24,56	17,19	11,37	6,63	4,93	3,92
D121	23,89	16,72	11,25	5,25	3,85	3,34
D126	17,65	11,48	7,79	5,17	3,55	2,85
D135	20,27	14,19	9,50	5,66	4,01	3,41
D136	16,90	11,83	7,92	4,72	3,34	2,84
D137	12,35	8,64	5,79	3,45	2,44	2,07
D140	18,57	13,00	9,63	5,05	3,74	3,33
D141	10,22	7,15	4,00	2,57	1,76	1,44
D142	5,53	3,87	2,93	1,67	1,12	0,83
D143	4,59	3,21	1,80	1,10	0,93	0,70

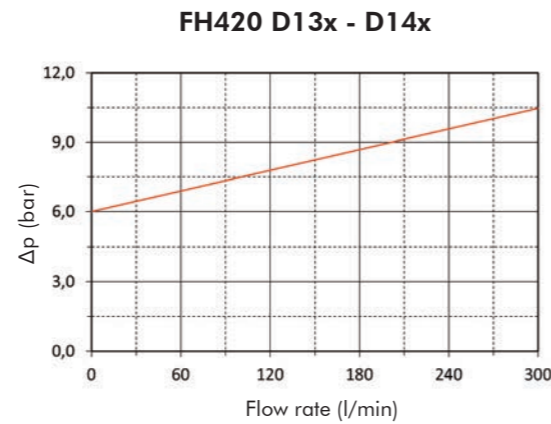
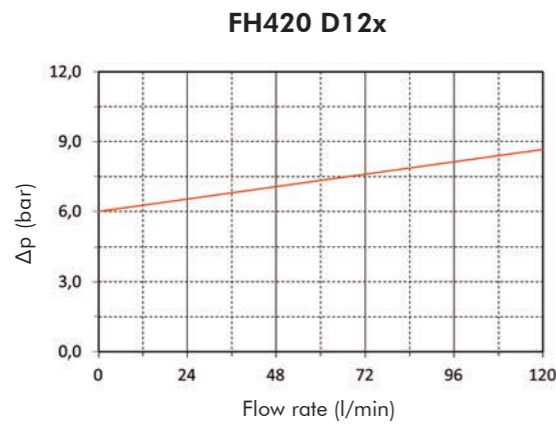
EXAMPLE OF TOTAL Δp CALCULATION

FH420D121G10BBB5DCWE05S0 with 80 l/min and oil 46 cSt :

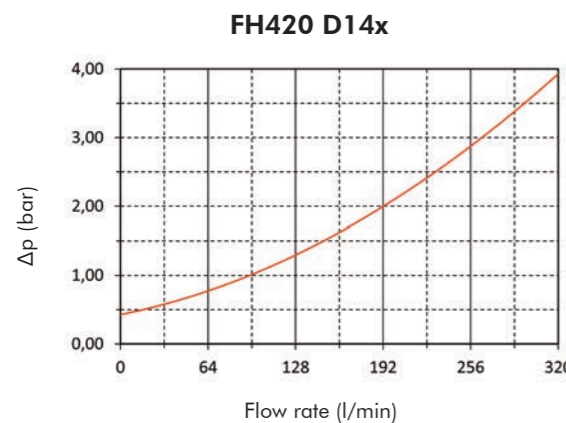
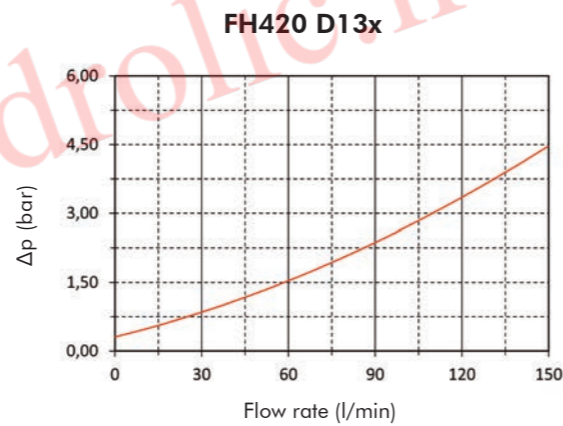
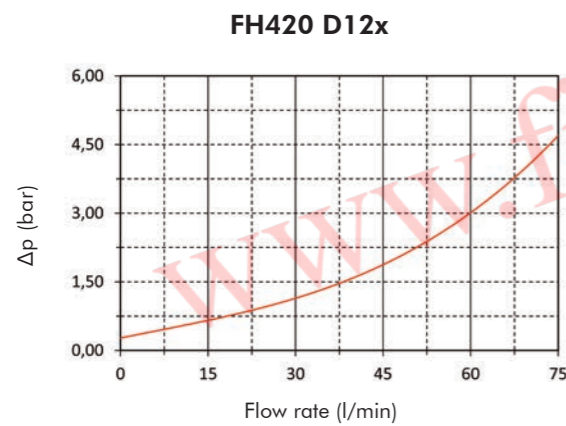
Housing Δp 0,25 bar + element Δp 0,60 bar $(80 \times 5,25)/1000 \times (46/32) =$ total assembly Δp 0,85 bar

BYPASS VALVE PRESSURE DROP

The bypass valve Δp is given by the curve of the considered model and setting, in correspondence of the flow rate value.



RF VALVE PRESSURE DROP



N.B. All the reported data have been obtained at our laboratory, according to specification ISO3968 with mineral oil having 32 cSt viscosity and density 0,875 Kg/dm³.

USER TIPS



- 1 FILTER HEAD
- 2 INDICATOR PORT
- 3 FIXING HOLES
- 4 FILTER ELEMENT
- 5 SEAL KIT
- 6 FILTER BOWL
- 7 IDENTIFICATION LABEL
- 8 DRAIN PLUG
- 9 INDICATOR PLUG

INDICATOR TIGHTENING TORQUE

90 Nm

SPARE SEAL KIT PART NUMBER

	NBR	FKM
FH420 D1-2x	06.021.00268	06.021.00269
FH420 D1-3x	06.021.00270	06.021.00271
FH420 D1-4x	06.021.00272	06.021.00273

BOWL TIGHTENING TORQUE

screw up filter bowl till end

WARNING

- ⚠ Make sure that Personal Protective Equipment (PPE) is worn during installation and maintenance operation.

DISPOSAL OF FILTER ELEMENT

- ⚠ The used filter elements and the filter parts dirty of oil are classified as "Dangerous waste material": they must be disposed according to the local laws by authorized Companies.

INSTALLATION

- ⚠ 1. the IN and OUT ports must be connected to the hoses in the correct flow direction (an arrow shows on the filter head (1))
- 2. the filter housing should be preferably mounted with the bowl (6) downward
- 3. secure to the frame the filter head (1) using the threaded fixing holes (3)
- 4. verify that no tension is present on the filter after mounting
- 5. enough space must be available for filter element replacement
- 6. the visual clogging indicator must be in a easily viewable position
- 7. when a electrical indicator is used, make sure that it is properly wired
- ⚠ 8. never run the system with no filter element fitted
- 9. keep in stock a spare FILTREC filter element for timely replacement when required
- 10. filter housing should be earthed

OPERATION

- ⚠ 1. the filter must work within the operating conditions of pressure, temperature and compatibility given in the first page of this data sheet
- 2. the filter element must be replaced as soon as the clogging indicator signals at working temperature (in cold start conditions, oil temperature lower than 30°C, a false alarm can be given due to oil viscosity)
- 3. If no clogging indicator is mounted, replace the element according to the system manufacturer's recommendations

MAINTENANCE

- ⚠ 1. make sure that the system is switched off and there is no residual pressure in the filter
- 2. unscrew the bowl (6) by turning it anti-clockwise and remove it
- 3. remove the dirty element (4)
- 4. fit a new FILTREC element (4), verifying the part number, particularly concerning the micron rating; open its plastic protection on the open end side and insert it onto the spigot in the filter head, then remove completely the plastic protection
- 5. clean carefully the bowl; check the O-rings (5) conditions and replace if necessary
- 6. lubricate the bowl's thread (6) and screw it by hand in the filter head (1) by turning it clockwise
- 7. screw in the bowl to stop
- ⚠ 8. the used filter elements cannot be cleaned and re-used

www.fidrolic.ir

